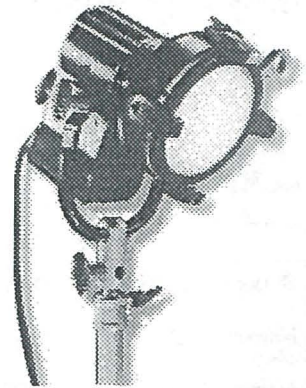


## PAR 200 W *Daylight Par*

- Specifically designed lenses and reflectors, giving superior optical performance
- Improved light quality and output - significantly brighter
- High quality, rugged, durable
- Corrosion resistant for longer life
- Compatibility of parts throughout the range
- A comprehensive selection of accessories, interchangeable with existing Quartzcolor products
- Easy to service and maintain
- Scratch resistant black non-reflective housing
- ON-OFF buttons, operated from both head and ballast
- Performance lenses mounted in colour coded frames
- Complete head supplied with barndoor, a set of 5 lenses in case, and head to ballast cable
- Also available as a kit, including ballast and flight case
- Meets all relevant international standards and regulations



### Operational data

#### Safety:

A microswitch system prevents the lamp operating if the front section is open.

12 x12 mm wire mesh guard and safety glass.

#### Accessory fitting:

Cast aluminium ears.

Spring loaded top catch for retention of lenses and accessories.

#### Tilt adjustment:

Pivot located at centre of gravity for excellent balance and positive locking.

#### Focus adjustment:

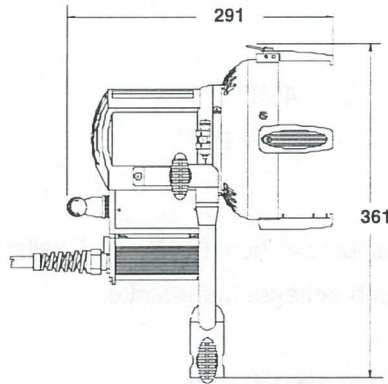
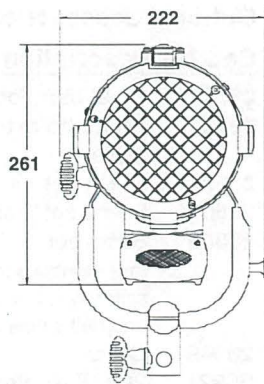
Rear knob for smooth and precise action

#### Beam adjustment:

By means of a set of 5 beam spreading lenses fitted on colour coded holders which can easily rotate through 170°.

#### Lamp access:

Hinged lens door allows easy access for lamp replacement.



[ mm ]

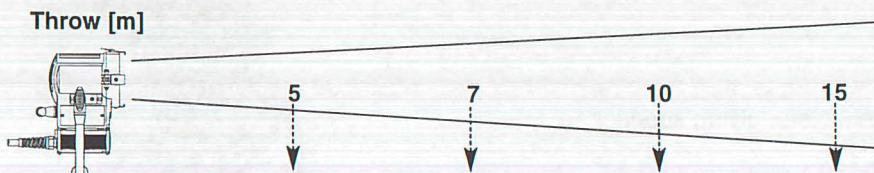
### Weights & dimensions

<b>Lens diameter</b>	150mm	<b>Weight (head+stirrup)</b>	3.4kg	<b>Ballast dimensions</b>	
<b>Accessory diameter</b>	170mm	<b>Packed weight</b>	20kg	<b>p/n 25921</b>	113x158x74mm - 1.8kg
<b>Filter cut size</b>	170x170mm	<b>Packed volume (kit)</b>	360x770x350mm		



**Photometric data**

Typical performance based on 200 W HMI lamp:



	Lux	Lux	Lux	Lux
Super spot (3.3°)	28,000	14,290	7,000	3,110
Narrow spot (6.8°) <i>black</i>	11,120	5,670	2,780	1,240
Narrow flood (9.5 x 21.3°) <i>green</i>	4,000	2,040	1,000	450
Medium flood (18.3° x 40°) <i>yellow</i>	1,560	790	390	170
Extra wide flood (43.5°) <i>red</i>	720	370	180	80
Frosted fresnel (30.3°) <i>white</i>	540	280	130	60

**Mechanical data**

- Paint / Finish** Powder coated epoxy paint with special extra high temperature treatment in critical areas. External textured low gloss finish
- Lamp house** Die cast aluminium
- Reflector** Large diameter high-reflectivity aluminium (99/99 coated)
- Mounting** Robust tubular steel stirrup with BS or standard DIN socket

**Environmental data**

- Max operating ambient temperature:** 45°C
- Tilt recommended angle of use:** -90° / 0° / 90°

**Electrical data**

- Switching:** ON/OFF double pushbuttons from both head & ballast
- Ignitor:** Small, compact, high-voltage, hot restrike
- Ignition voltage:** 20 kV
- Ballasts:** Electronic flicker-free, 200 W
- Standards compliance:** CE marking, c UL us

**Lamp data**

**HMI/MSR 200W single ended**

- LCL (mm)** 39
- Base** GZY 9.5
- Lumens** 16,000
- Rated life hours (H)** 200
- Colour temp. (K)** 5600

**Ordering information**

**Cat. No Description**

- 27915** PAR 200 W bare head with stirrup
- 27520** PAR 200 W supplied with stirrup, 4 leaf rotating barndoor, 7.5 metre extension cable, set of 5 lenses, lens case
- 27521** PAR 200 W KIT, supplied with head, stirrup, 4 leaf rotating barndoor, 7.5 metre extension cable, set of 5 lenses, scrim set, electronic ballast, flight case

**Optional accessories**

**Cat. No Description**

- 28048** 4 leaf barndoor
- 28823** 7.5 metre extension cable
- 28828** 5 lens set
- 28804** 5 lens set + case
- 28309** Scrim set (one double scrim, one single scrim, one half double scrim, one half single scrim)
- 28049** Cone
- 25921** 200 W electronic ballast
- 28811** Lens case
- 28801** Flight case

The Company reserves the right to make any variation in design or construction to the equipment described. © Strand Lighting Ltd 1998. Strand™, Strand Lighting™, Strand Quartzcolor™ are trade marks of Strand Lighting Limited and Strand Lighting Inc.

Strand Lighting Ltd North Hyde House Hayes Rd Heston Middx UB2 5NL UK Tel: +44 (0)181 571 3588 Fax: +44 (0)181 571 3305  
 Strand Lighting GmbH Ullsteinstrasse 114-142 D-12109 Berlin Germany Tel: +49 (0) 30/70 79 51 0 Fax: +49 (0) 30/70 79 519 9  
 Strand Lighting Italia srl Via delle Gardenie 33 00040 Pomezia-Roma Italy Tel: +39 06 919631 Fax: +39 06 9147136  
 Strand Lighting Asia Ltd 7/F Corporation Square 8 Lam Lok Street Kowloon Bay Hong Kong Tel: +852 2757 3033 Fax: +852 2757 1767

LONDON - BERLIN - ROME - PARIS - MOSCOW - LOS ANGELES - NEW YORK - TORONTO - HONG KONG